



David Round, Inc.
Ruger Division
10200 Wellman Road
Streetsboro, OH 44241
Phone: 440-248-4700
Fax: 440-248-8544
www.rugerindustries.com

VERSATILE

AFFORDABLE

REMOVABLE

360° ROTATION

TM-1/4

- 500 lb. Capacity
- 360 degree boom rotation

ACCESSORIES

- Barrel Grip
- Truck crane mast complete (less mounting socket, mounting brackets and stabilizer)
- Mounting brackets for installing socket on truck
- Stabilizer only (screw type)
- Extra truck crane wells available for truck or pedestal mountings

STANDARD FEATURES

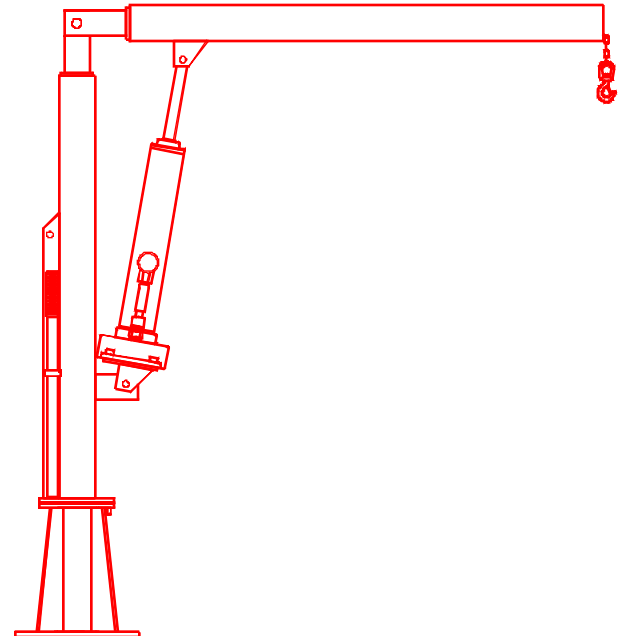
- Meets Ruger's engineering standards 150% structural overload of maximum rated capacity
- 360 degree boom rotation
- Built-in hydraulic overload relief valve
- Adjustable brake to control rotation
- Needle type release valve permits pin-point control over lowering and holding of heaviest or lightest loads
- Truck crane well
- Mounted on Timken tapered roller bearings for easy rotation under maximum loads
- Swivel hook with safety latch and chain to support heavy loads

Prices, Specifications, and Options are subject to Change Without Notice.

All Ruger products are shipped F.O.B. Streetsboro, Ohio 44241,
Unit Ships-NMFC #189240 - Class 70 Shipping Wt. 100 lbs

FAX: 440-248-8544

E-mail: info@davidround.com



The TM-1/4 provides strength, versatility and dependability wherever you go. Tested and exceeds ANSI/ASME PALD-12C standards. Meets ANSI Z.535



David Round, Inc.
 Ruger Division
 10200 Wellman Road
 Streetsboro, OH 44241
 Phone: 440-248-4700
 Fax: 440-248-8544
 www.rugerindustries.com

VERSATILE

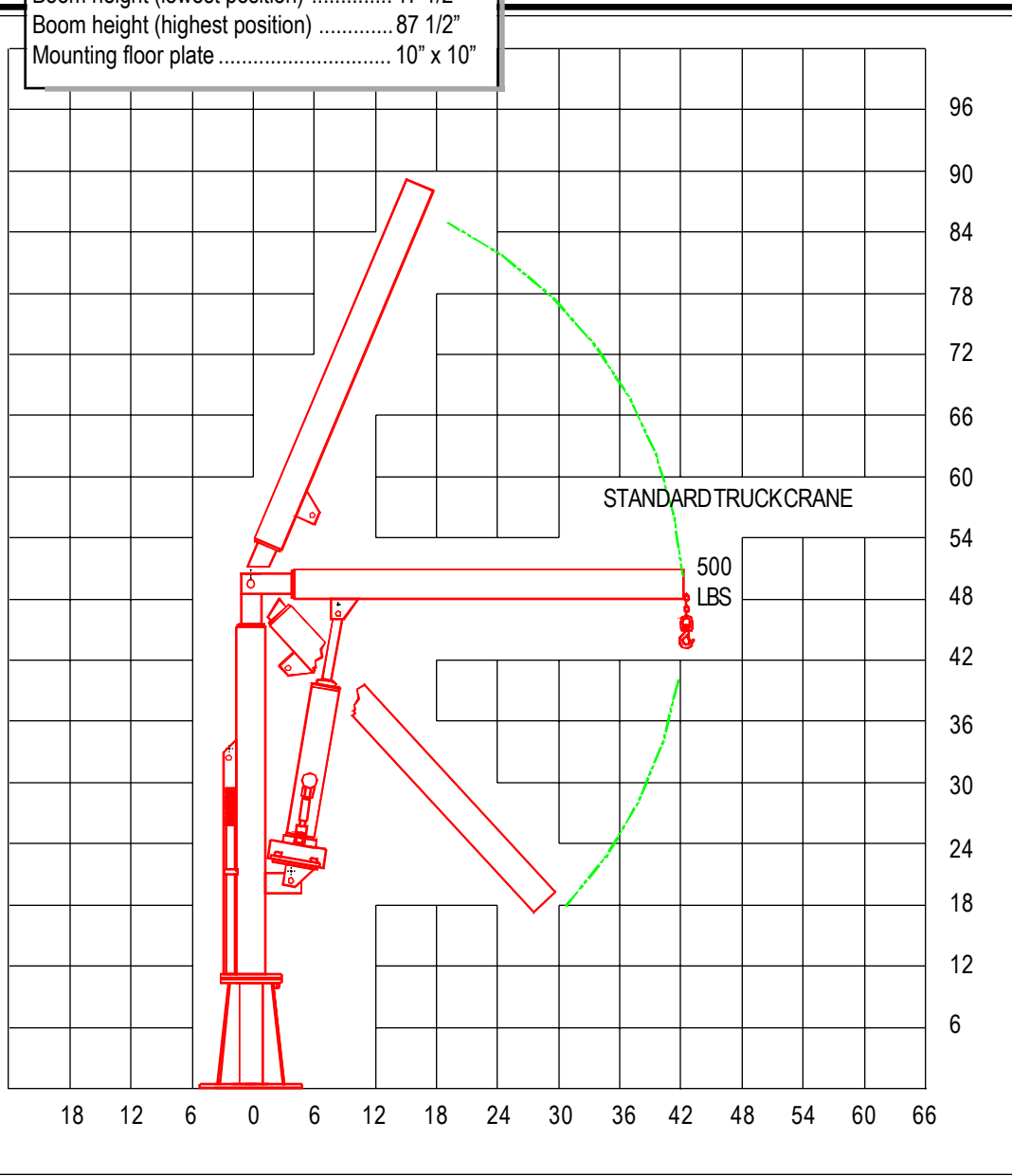
AFFORDABLE

REMOVABLE

360° ROTATION

MODEL: TM-1/4

Model	TM-1/4
Capacity	500 lbs
Overall height	50 1/2"
Overall boom length	42 1/2"
Boom height (lowest position)	17 1/2"
Boom height (highest position)	87 1/2"
Mounting floor plate	10" x 10"



PUMPING CYCLES
 needed to raise boom
 through full
 travel: 90.

Certain models can be
 shipped NEXT DAY

NOTE:
 Ruger can modify
 any standard
 dimensions
 to meet specific
 customer needs.