



David Round & Son, Inc.  
Ruger Division  
10200 Wellman Rd  
Streetsboro, OH 44241  
Phone: 330-656-1600  
Fax: 330-656-1601  
info@davidround.com  
www.rugerindustries.com

## Ruger® TM-1/2



### TM-1/2

- 1000 lb. Capacity
- 360 degrees of boom rotation

### OPTIONAL ACCESSORIES

- 12VDC Power Pack
- Wireless Remote
- Wired pendant

Meets ASME PALD standards  
for shop cranes.  
Conforms to ANSI Z535 standards.

### Standard Features

- Meets Ruger's structural engineering standards for 150% of rated lifting capacity
- Double action manual hand pump operation
- Built-in hydraulic overload relief valve
- Needle type release valve permits pin-point control over lowering and holding of the heaviest or lightest loads
- Adjustable built-in telescopic boom
- Truck crane well
- Mounted on Timken tapered roller bearings for easy rotation under maximum loads
- Swivel hook with safety latch and chain to support heavy loads
- Adjustable brake to control rotation

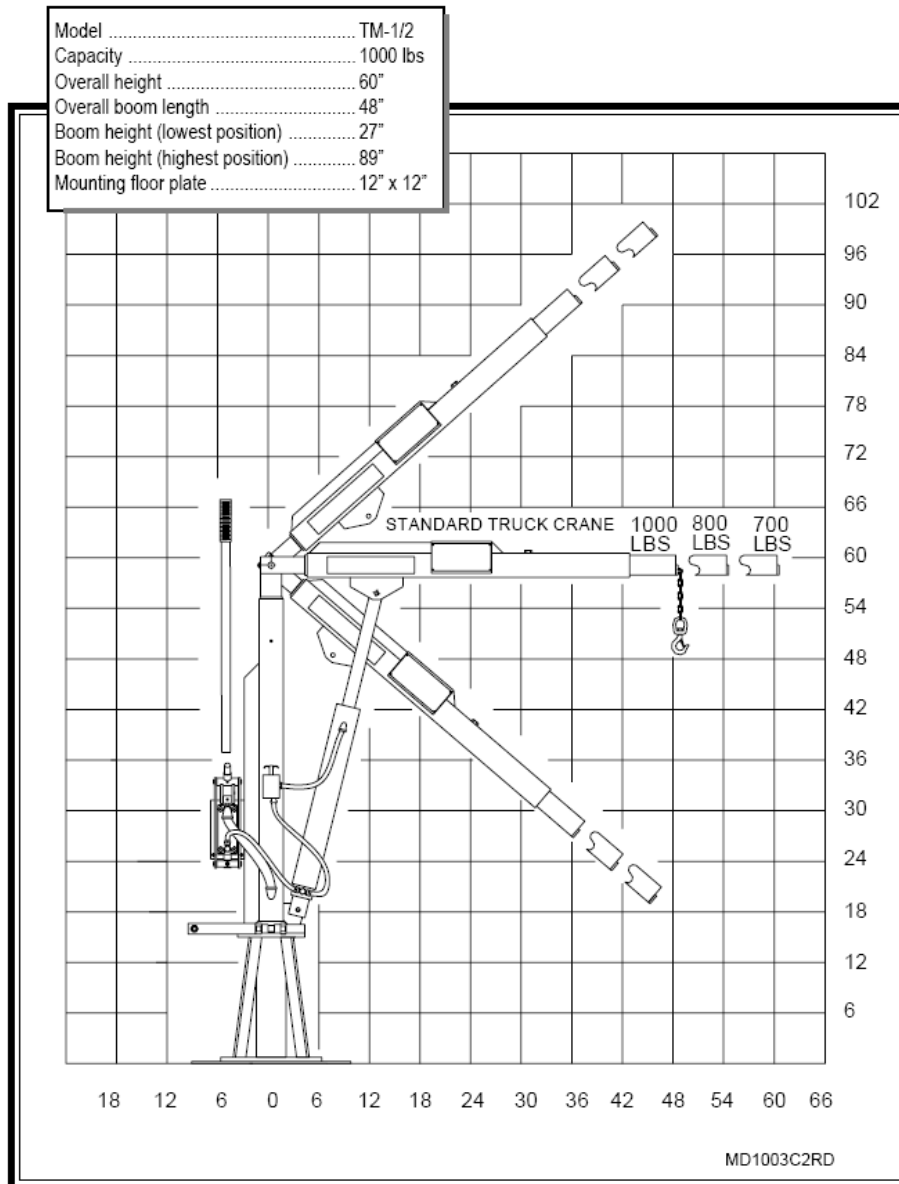


David Round & Son, Inc.  
 Ruger Division  
 10200 Wellman Rd  
 Streetsboro, OH 44241  
 Phone: 330-656-1600  
 Fax: 330-656-1601  
 info@davidround.com  
 www.rugerindustries.com

**MODEL: RG-TM-1/2**

Load Capacity            1000 lbs

Figure 1



*Designers & Manufacturers of Hydraulic Load Lifting and Material Handling Equipment*