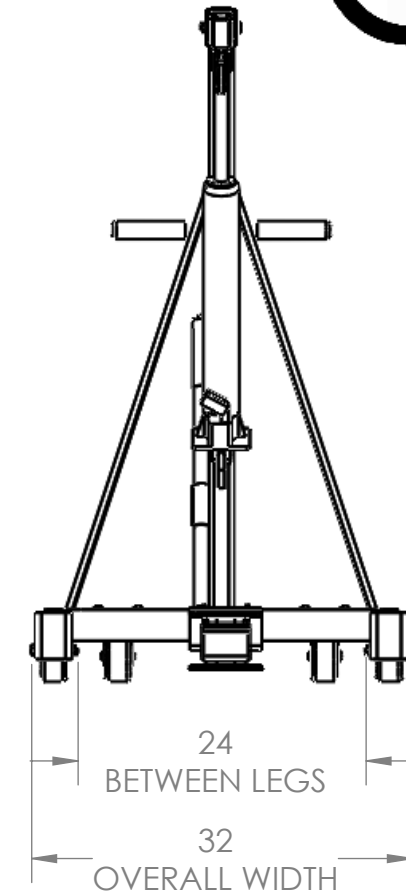
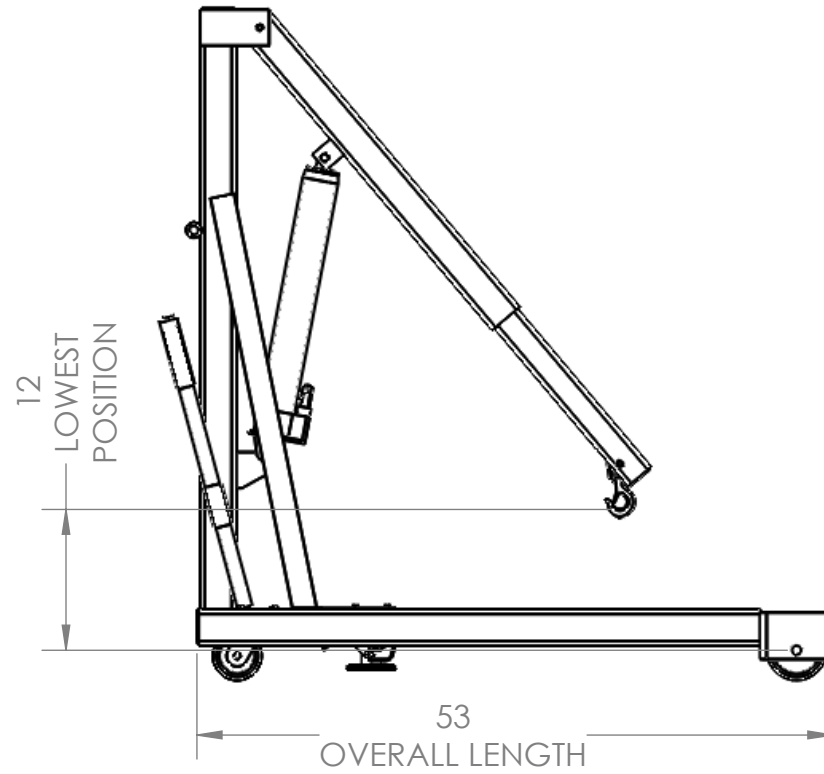
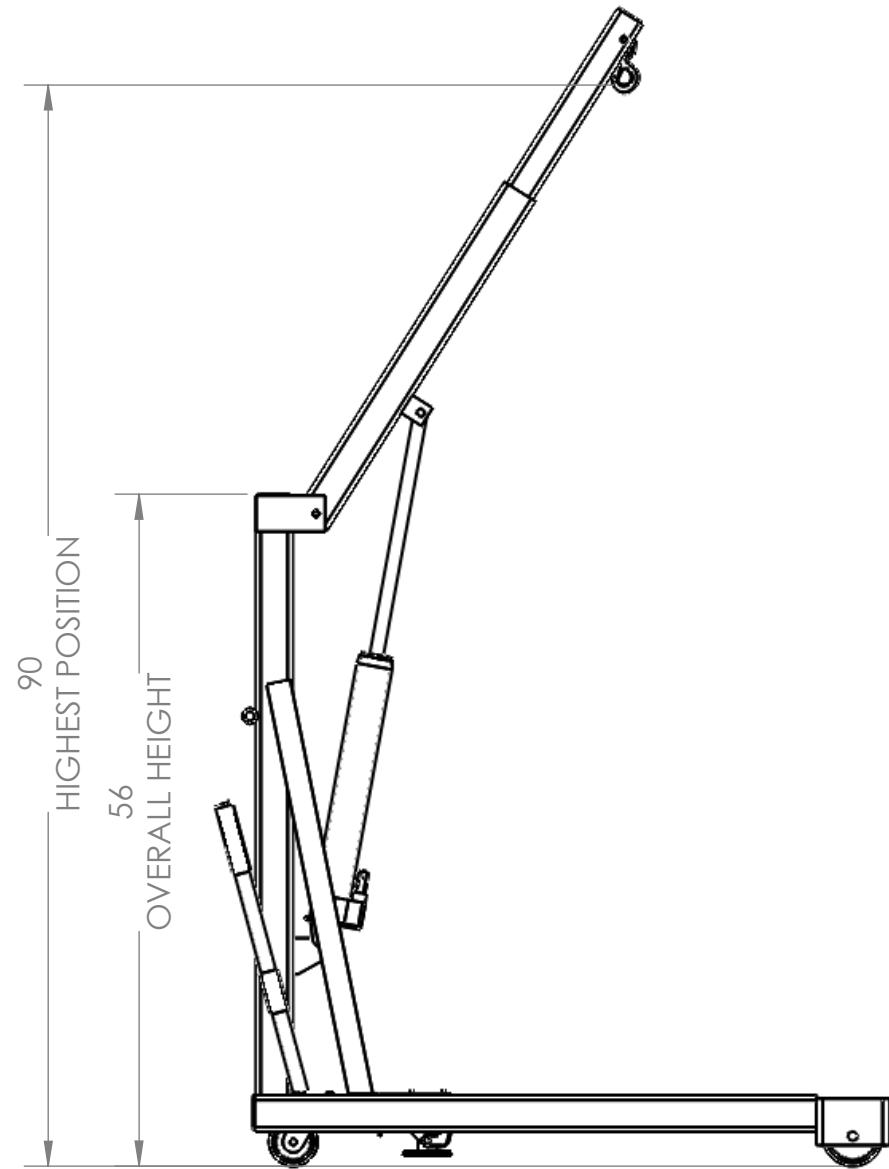




**RG-RC500-1**  
-Straddle style floor crane  
-500 LB capacity  
-Self contained hydraulic double acting bottle jack  
-Meets Ruger's structural engineering standards for 150% of rated lifting capacity



# Ruger®

Meets ASME PALD standards for shop cranes.  
Conforms to ANSI Z535 standards.