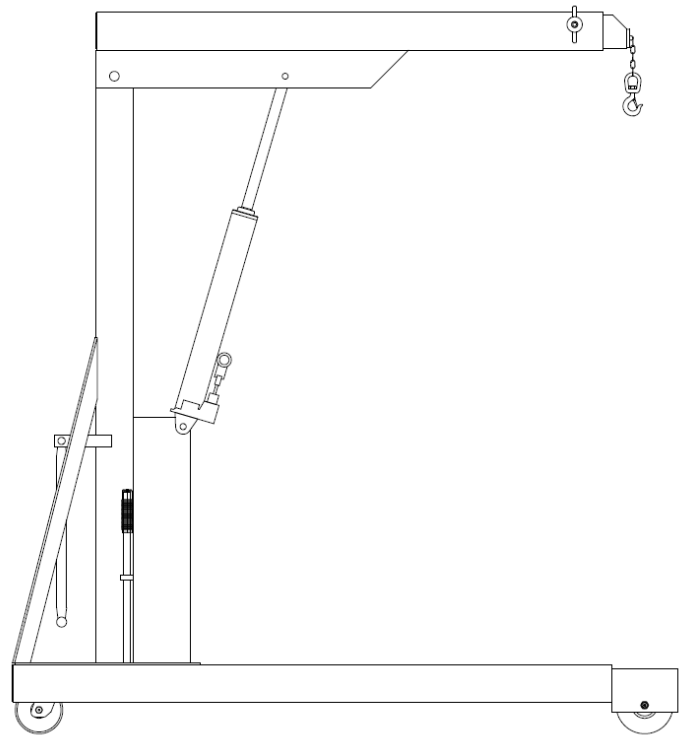




David Round & Son, Inc.
Ruger Division
10200 Wellman Rd
Streetsboro, OH 44241
Phone: 330-656-1600
Fax: 330-656-1601
info@davidround.com
www.rugerindustries.com

Ruger® RC2000



RC2000

- 2000 lb. Capacity
- Self Contained Hydraulic Jack
- Telescopic boom for longer reach

OPTIONAL ACCESSORIES

- Floor Lock - Direct Bolt-On
- Polyurethane Wheels - Direct Bolt-On
- Steel Wheels - Direct Bolt-On

Meets ASME PALD standards
for shop cranes.
Conforms to ANSI Z535 standards.

Standard Features

- Meets Ruger's structural engineering standards for 150% of rated lifting capacity
- Straddle leg designed units are built to exceed 150% stability factor
- Self contained hydraulic system with single action hydraulic jack
- Needle type release valve permits pin-point control over lowering and holding of the heaviest or lightest loads
- Adjustable built-in telescopic boom
- Phenolic wheels with sleeve bearings
- Swivel hook with safety latch
- Steel construction & standard Ruger blue paint

Prices, specifications, and options are subject to change without notice. All Ruger products are shipped F.O.B. Streetsboro, OH 44241



David Round & Son, Inc.
 Ruger Division
 10200 Wellman Rd
 Streetsboro, OH 44241
 Phone: 330-656-1600
 Fax: 330-656-1601
 info@davidround.com
 www.rugerindustries.com

MODEL: RC2000

Load Capacity 2000 lbs

Model.....	RC2000
Maximum Capacity.....	2000 lbs
Overall Base Length.....	70"
Overall Width.....	33½"
Overall Height.....	76"
Width Between Legs.....	25½"
Boom Reach Retracted.....	45½"
Boom Reach Extended.....	86½"
Boom Height (Lowest Position).....	35"
Boom Height (Highest Position).....	92"
Ext. Boom Height (Lowest Position).....	7"
Ext. Boom Height (Highest Position).....	106"
Height of Legs.....	7¼"
Load Wheel Diameter.....	6"
Steering Wheel Diameter.....	5"

