



David Round, Inc.  
Ruger Division  
10200 Wellman Road  
Streetsboro, OH 44241  
Phone: 330-656-1600  
Fax: 330-656-1601  
www.rugerindustries.com

AFFORDABLE

COMPACT

VERSATILE

RELIABLE

## RC1000S

- **1000 lb. Capacity**
- **Ideal for the automotive and truck markets**
- **Boom can be mounted at 5 different height positions**

### ACCESSORIES

- **Floor Lock**
- **Polyurethane or Steel Wheels**

### STANDARD FEATURES

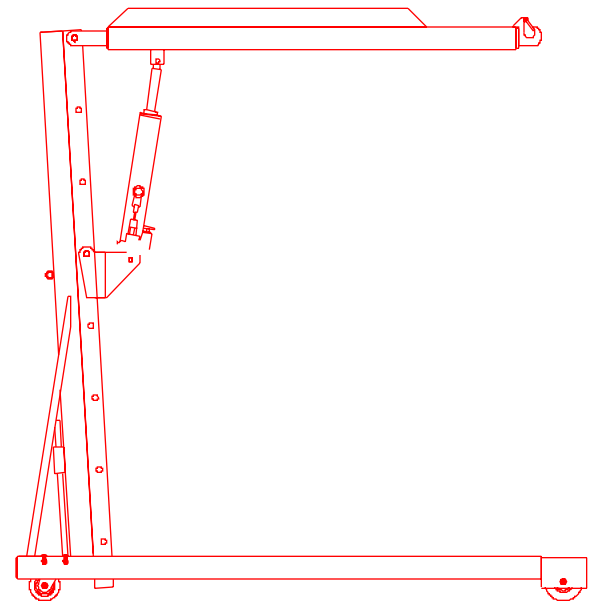
- Meet Ruger's engineering standards of 150% structural overload of maximum rated capacity
- Completely self-contained hydraulic system with single action jack
- Boom and hydraulics adjust to 5 height locations
- Built-in hydraulic overload relief valve (An original Ruger patent)
- Needle type release valve permits pin-point control over lowering and holding of the heaviest or lightest loads
- Snatch hook
- Phenolic resin wheels with roller bearings

Prices, Specifications, and Options are subject to Change Without Notice.

All Ruger products are shipped F.O.B. Streetsboro, Ohio 44241

FAX: 330-656-1601

E-mail: [info@davidround.com](mailto:info@davidround.com)



Maximum Value and Safety at a Modest Investment. The RC1000S boom reaches 40" out from ram connecting point and lifts 1000 pounds. Tested and exceeds ANSI/ASME PALD standards. Meets ANSI Z.535



David Round, Inc.  
 Ruger Division  
 10200 Wellman Road  
 Streetsboro, OH 44241  
 Phone: 330-656-1600  
 Fax: 330-656-1601  
 www.rugerindustries.com

**AFFORDABLE**

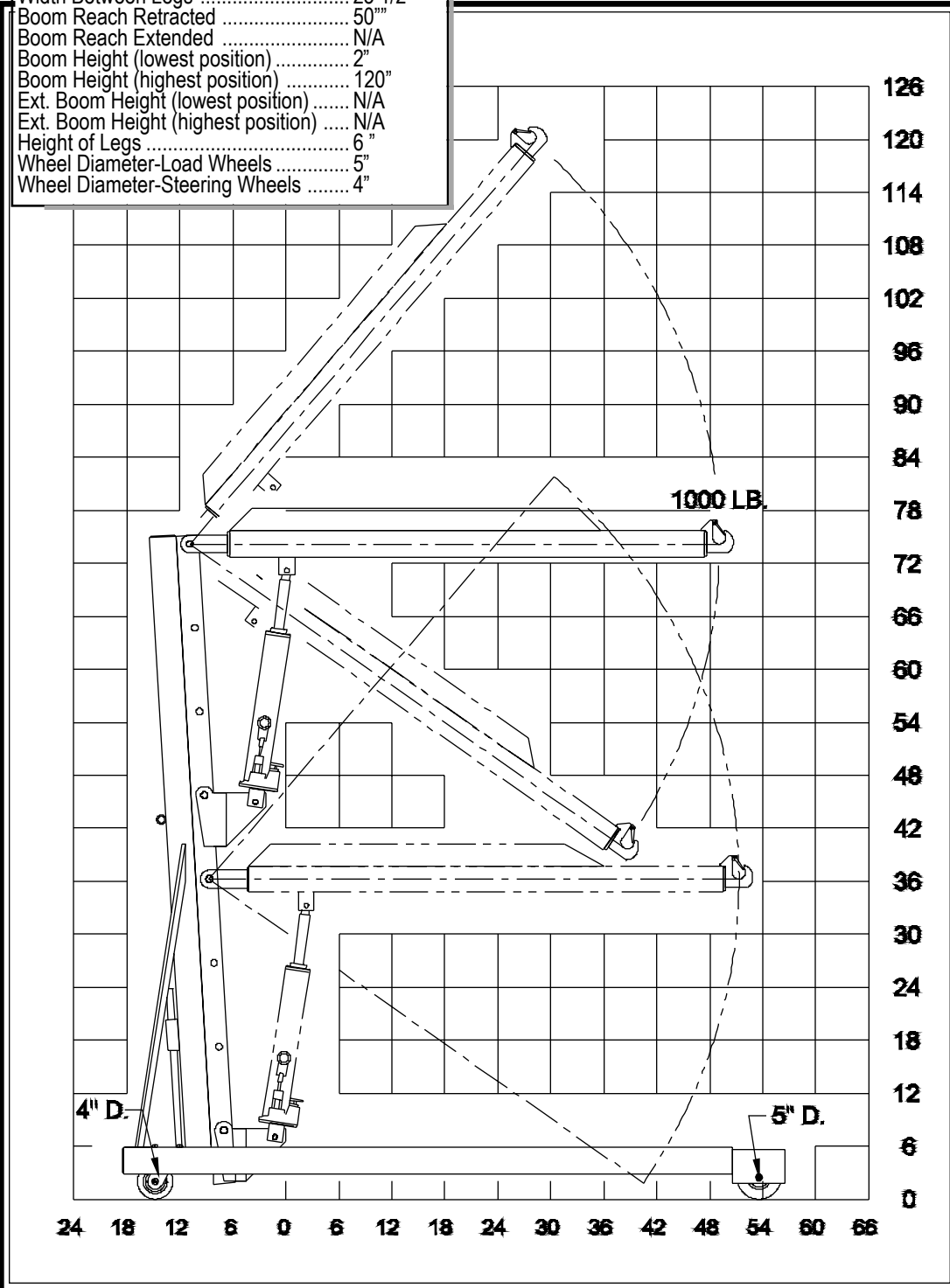
**COMPACT**

**VERSATILE**

**RELIABLE**

# MODEL: RC-1000S

Model.....	RC1000S
Max. Capacity .....	1000 lbs
Overall Base Length .....	75"
Overall Width .....	31 1/2"
Overall Height.....	78"
Width Between Legs .....	25 1/2"
Boom Reach Retracted .....	50"
Boom Reach Extended .....	N/A
Boom Height (lowest position) .....	2"
Boom Height (highest position) .....	120"
Ext. Boom Height (lowest position) .....	N/A
Ext. Boom Height (highest position) .....	N/A
Height of Legs .....	6"
Wheel Diameter-Load Wheels .....	5"
Wheel Diameter-Steering Wheels .....	4"



**NOTE:**  
 Ruger can modify  
 any standard  
 dimensions  
 to meet specific  
 customer needs.