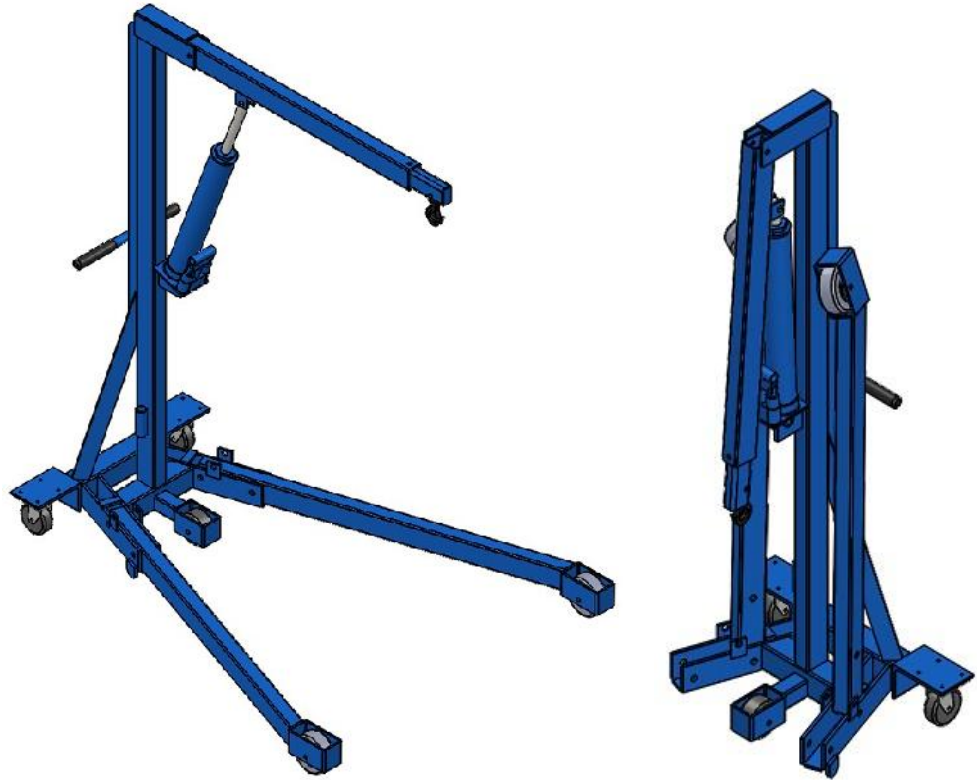


RUGER MODEL: RC1000K



RC1000K

Standard Features:

- 1,000 lbs maximum rated capacity
- Foldable crane allowing more compact storage
- Meets Ruger's structural engineering standards for 150% rated lifting capacity
- Straddle style legs and built to exceed 125% stability
- Meets ASME PALD standards for shop cranes
- Conforms to ANSI Z535 standards
- Double piston manual hydraulic jack
- Built-in hydraulic pressure relief valve
- Adjustable telescopic boom
- Phenolic wheels with sleeve bearings
- Swivel hook with safety latch
- Steel construction and standard Ruger blue paint

Optional Accessories:

- Bolt on floor lock kit
- Polyurethane Wheels – Direct Bolt on
- Solid Elastomer Wheels - Direct Bolt on

The David Round Company - Ruger Division - 10200 Wellman Rd - Streetsboro, OH 44241
Phone: 330-656-1600 - Fax: 330-656-1601 - info@davidround.com - www.rugerindustries.com

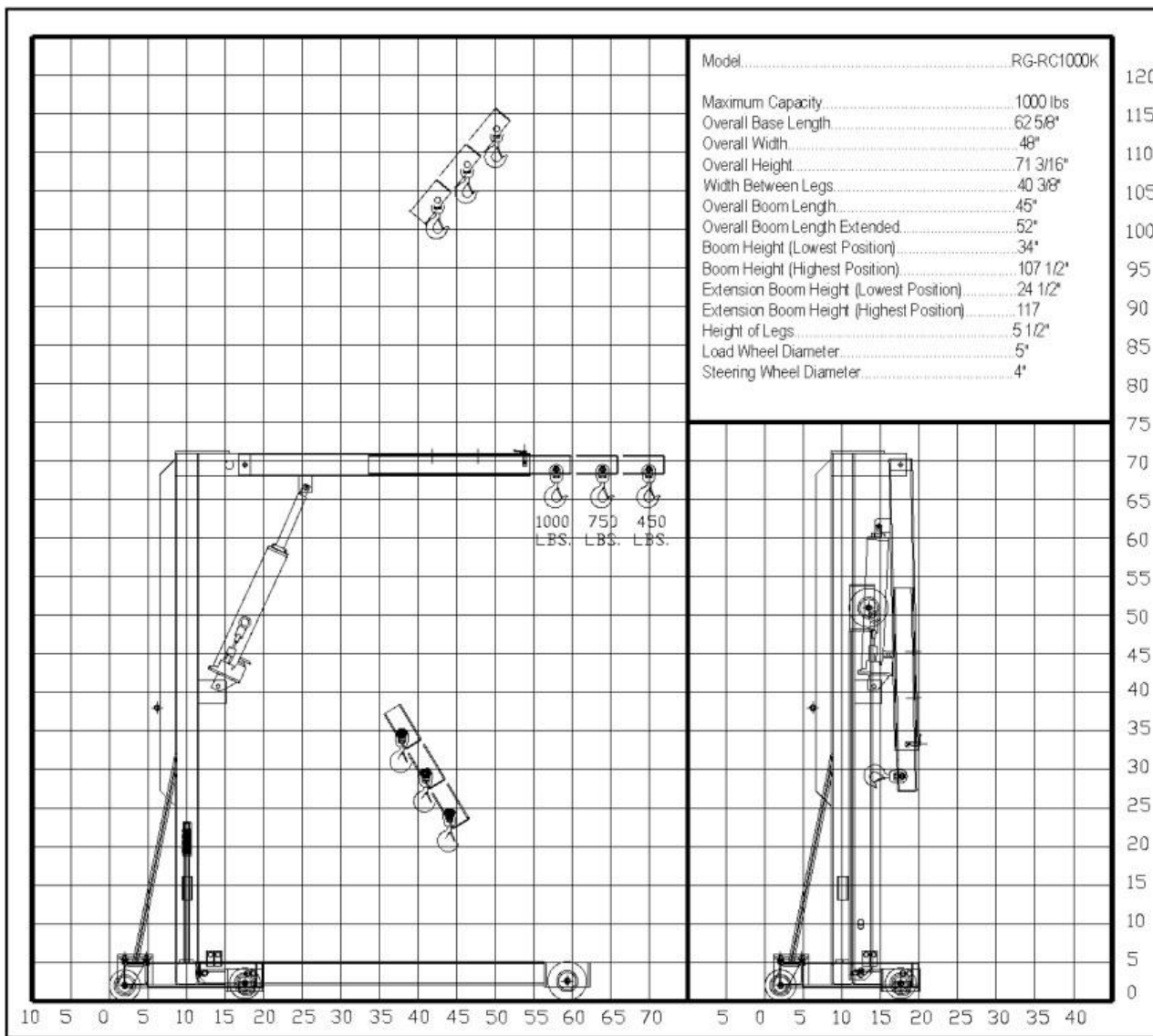
RUGER MODEL: RC1000K



Engineered Handling Solutions Since 1869



Designers & Manufacturers of Hydraulic Load Lifting and Material Handling Equipment



The David Round Company - Ruger Division - 10200 Wellman Rd - Streetsboro, OH 44241
 Phone: 330-656-1600 - Fax: 330-656-1601 - info@davidround.com - www.rugerindustries.com

Prices, specifications, and options are subject to change without notice. All Ruger products are shipped F.O.B. Streetsboro, OH 44241

Copyright 2011