



David Round, Inc.
Ruger Division
10200 Wellman Road
Streetsboro, OH 44241
Phone: 330-656-1600
Fax: 330-656-1601
www.rugerindustries.com

TOUGH**FLEXIBLE****AFFORDABLE****HYDRAULIC**

HP-3D

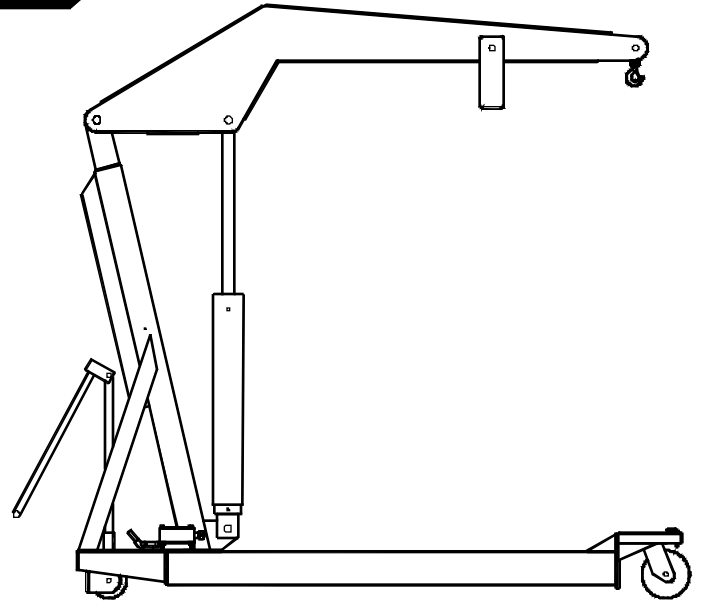
- **6000 lb. Capacity**
- **Provides a Lift Height Up to 15'5"**

ACCESSORIES

- **Floor Lock**
- **Power-Pak**
- **Extension Boom**

STANDARD FEATURES

- Meets Ruger's engineering standards of 150% structural overload of maximum rated capacity
- Double action hand pump for a quicker and easier lift
- Built-in hydraulic overload relief valve (An original Ruger Patent)
- Needle type release valve permits pin-point control over lowering and holding of the heaviest or lightest loads
- Steel casters with roller bearing wheels
- Front wheels can be turned 90 degrees for easy positioning
- Chain with swivel hook and safety latch to support heavy loads
- EZ-Steer



The HP-3D diesellift hydraulic crane handles the heaviest shop jobs. The crane performs equally well with cab-over or standard engine mountings. Tested and exceeds ANSI/ASME PALD standards. Meets ANSI Z.535

Prices, Specifications, and Options are subject to Change Without Notice.

All Ruger products are shipped F.O.B. Streetsboro, Ohio 44241

FAX: 330-656-1601

E-mail: info@davidround.com



David Round, Inc.
 Ruger Division
 10200 Wellman Road
 Streetsboro, OH 44241
 Phone: 330-656-1600
 Fax: 330-656-1601
 www.rugerindustries.com

RELIABLE

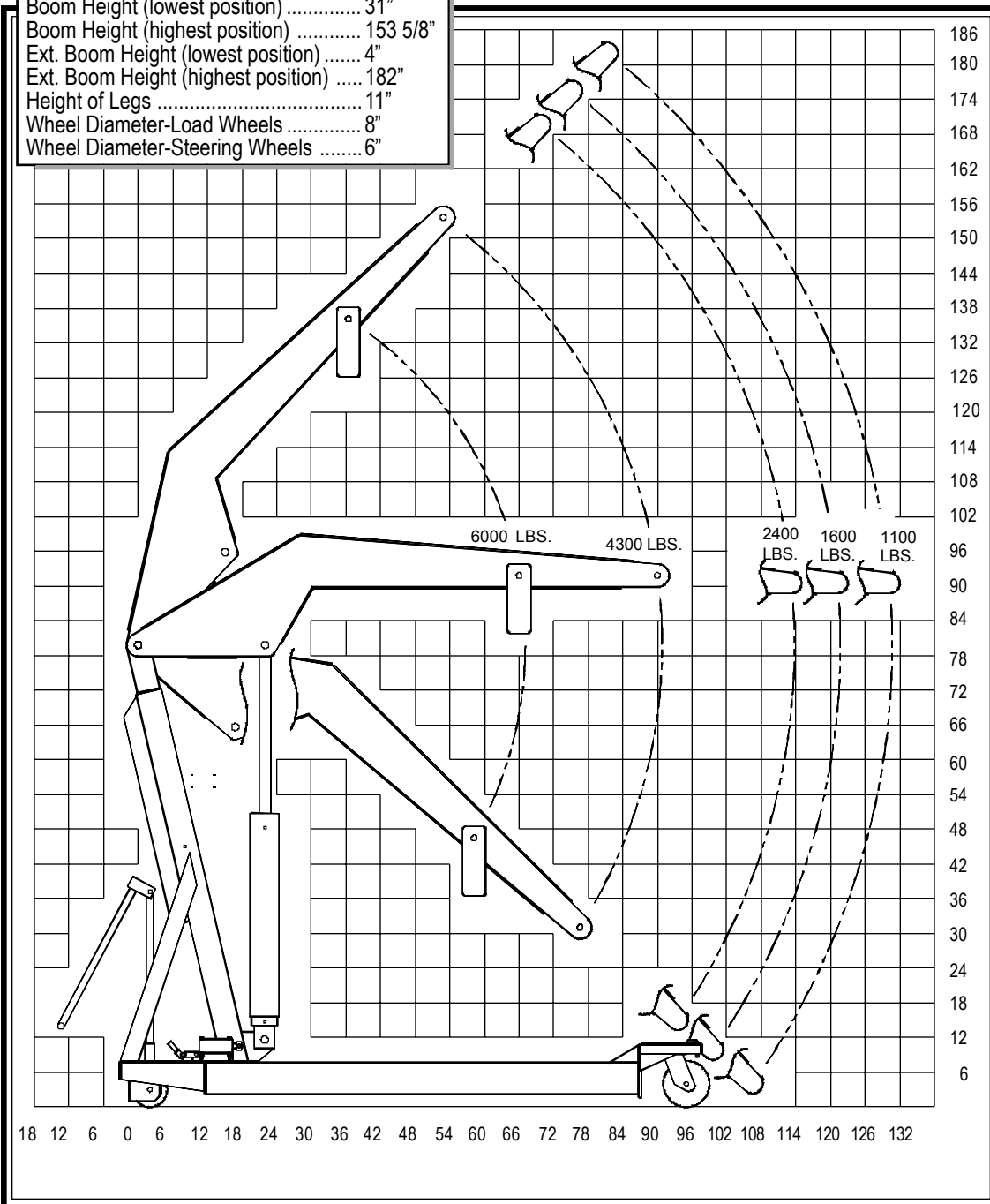
DEPENDABLE

POWERFUL

VERSATILE

MODEL: HP-3D

Model	HP-3D
Max. Capacity	6000 lbs
Overall Base Length	101"
Overall Width	49"
Overall Height	98 7/8"
Width Between Legs	36"
Boom Reach Retracted	68 5/8"
Boom Reach Extended	108 5/8"
Boom Height (lowest position)	31"
Boom Height (highest position)	153 5/8"
Ext. Boom Height (lowest position)	4"
Ext. Boom Height (highest position)	182"
Height of Legs	11"
Wheel Diameter-Load Wheels	8"
Wheel Diameter-Steering Wheels	6"



NOTE:
 Ruger can modify
 any standard
 dimensions
 to meet specific
 customer needs.