



David Round, Inc.
Ruger Division
10200 Wellman Road
Streetsboro, OH 44241
Phone: 330-656-1600
Fax: 330-656-1601
www.rugerindustries.com

ADJUSTABLE

VERSATILE

FLEXIBLE

AFFORDABLE

HP-2000A

- **2000 lb. Capacity**
- **Adjustable legs-open wide to accomodate big loads**

ACCESSORIES

- **Floor Lock**
- **Phenolic, Polyurethane Wheels**
- **Power-Pak**

STANDARD FEATURES

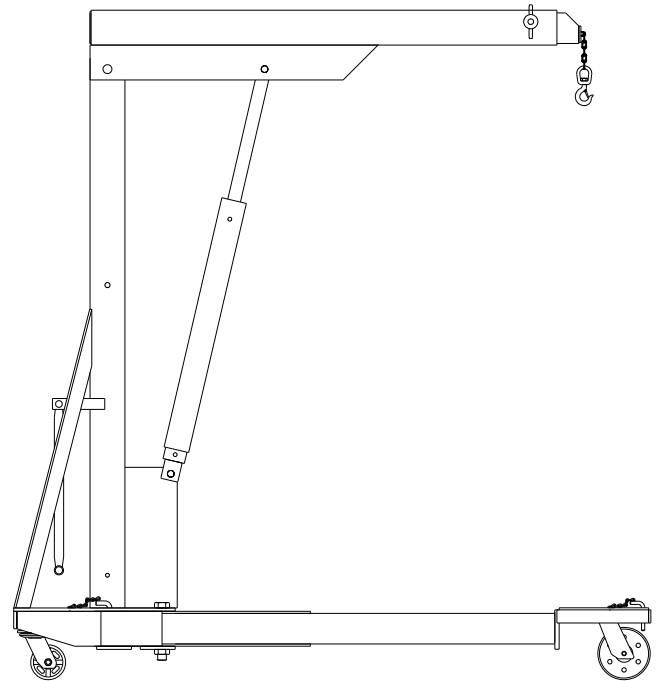
- Meets Ruger's engineering standards of 150% structural overload of maximum rated capacity
- Adjustable legs to straddle large oversized loads
- Double action hand pump for quicker and easier lift
- Built-in hydraulic overload relief valve (An original Ruger patent)
- Needle type release valve permits pin-point control over lowering and holding of the heaviest or lightest loads
- Steel casters with roller bearing wheels
- Chain with swivel hook and safety latch to support heavy loads

Prices, Specifications, and Options are subject to Change Without Notice.

All Ruger products are shipped F.O.B. Streetsboro, Ohio 44241

FAX: 330-656-1601

E-mail: info@davidround.com



The HP2000A is designed and engineered to easily accomodate oversized loads.

Tested and exceeds ANSI/ASME PALD standards.
Meets ANSI Z.535



David Round, Inc.
 Ruger Division
 10200 Wellman Road
 Streetsboro, OH 44241
 Phone: 330-656-1600
 www.rugerindustries.com

ADJUSTABLE

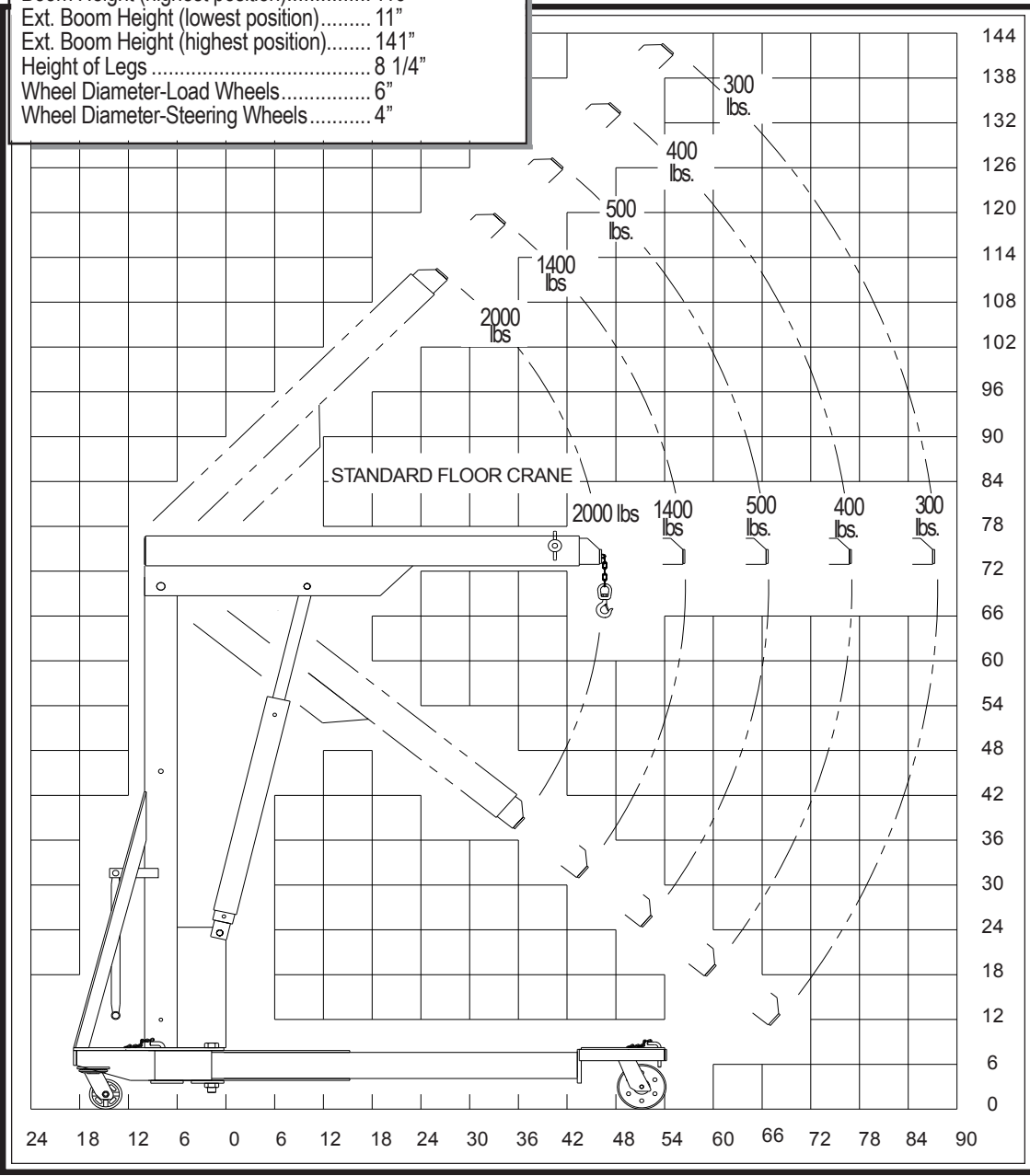
VERSATILE

FLEXIBLE

AFFORDABLE

Model	HP-2000A
Max. Capacity	2000 lbs
Overall Base Length	73"
Overall Width	35"-53"-65"
Overall Height	78"
Width Between Legs	22"-36"-48"
Boom Reach Retracted	46 1/2"
Boom Reach Extended	87 1/2"
Boom Height (lowest position)	27"
Boom Height (highest position)	119"
Ext. Boom Height (lowest position)	11"
Ext. Boom Height (highest position)	141"
Height of Legs	8 1/4"
Wheel Diameter-Load Wheels	6"
Wheel Diameter-Steering Wheels	4"

MODEL: HP-2000A



NOTE:
 Ruger can modify any
 standard dimensions to
 meet specific customer
 needs.