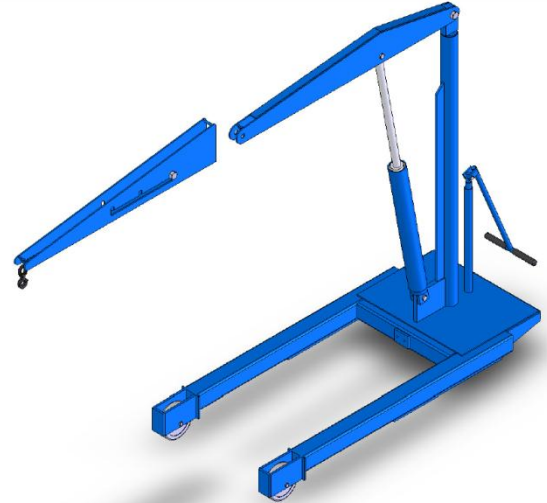




David Round & Son, Inc.  
Ruger Division  
10200 Wellman Rd  
Streetsboro, OH 44241  
Phone: 330-656-1600  
Fax: 330-656-1601  
info@davidround.com  
www.rugerindustries.com

## **Ruger® HP-2**



### **HP-2**

- 4000 lb. Capacity
- Straddle leg design eliminates counterweights

#### OPTIONAL ACCESSORIES

- Floor Lock - Direct Bolt-On
- Adjustable extension boom
- Polyurethane Wheels - Direct Bolt-On
- Phenolic Wheels - Direct Bolt-On
- Power-Pak - Direct Bolt-On AC/DC Operated Hydraulic Lifting
- Manual Hand Winch - Rated for Lifting Design
- Available in Stainless Steel Construction

**Meets ASME PALD standards  
for shop cranes.  
Conforms to ANSI Z535 standards.**

#### **Standard Features**

- Meets Ruger's structural engineering standards for 125% of rated lifting capacity
- Counterbalanced units are built to exceed 125% stability factor
- Double action manual hand pump operation
- Built-in hydraulic overload relief valve
- Needle type release valve permits pin-point control over lowering and holding of the heaviest or lightest loads
- Steel wheels with sleeve bearings
- Swivel hook with safety latch
- Steel construction & standard Ruger blue paint

Prices, specifications, and options are subject to change without notice. All Ruger products are shipped F.O.B. Streetsboro, OH 44241

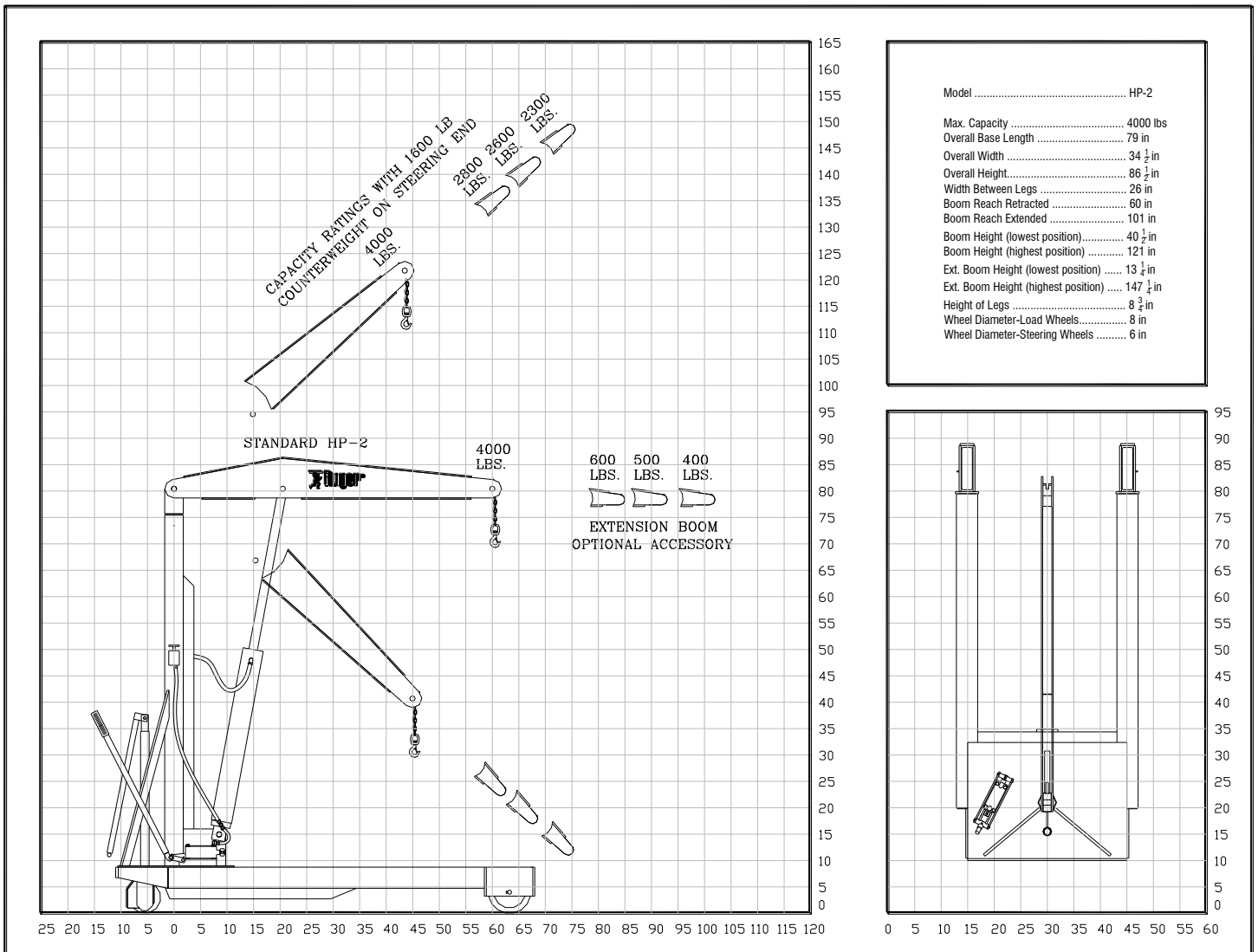


David Round & Son, Inc.  
 Ruger Division  
 10200 Wellman Rd  
 Streetsboro, OH 44241  
 Phone: 330-656-1600  
 Fax: 330-656-1601  
 info@davidround.com  
 www.rugerindustries.com

**MODEL: HP-2**

Load Capacity            4000 lbs

**Figure 1**



Units in Inches