



David Round & Son, Inc.
Ruger Division
10200 Wellman Road
Streetsboro, OH 44241
Phone: 330-656-1600
Fax: 330-656-1601
info@davidround.com
www.rugerindustries.com

FULL POWER

MORE HEIGHT

MORE REACH

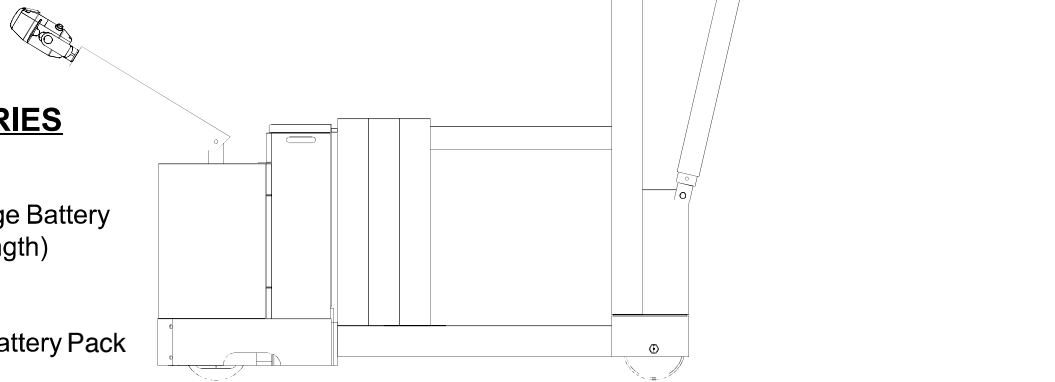
HYDRAULIC

FP4000R

- 4000 lb. Capacity
- Operator has good visibility for safe operation
- Counterbalanced with no legs out front

OPTIONAL ACCESSORIES

- Remote Control Pendant
- Wireless Remote Control
- 24 V. Industrial Quick-Change Battery System (add 6" to overall length)
- Power Hoist
- Power In/Out Boom
- Sealed Maintenance Free Battery Pack



STANDARD FEATURES

- Meets Ruger's engineering standards of 150% structural overload of maximum rated capacity
- Built-in hydraulic overload relief valve
- Polyurethane drive wheel and load wheels
- Manual extension boom for more reach and height
- Infinity Variable Speed Control
- Solid State Circuitry
- 24 volt, 225 amp/hr batteries and 25 amp charger
- Dynamic brake
- Key lock and battery condition indicator/hour meter

Prices, Specifications, and Options are subject to Change Without Notice.

All Ruger products are shipped F.O.B. Streetsboro, OH 44241

FAX: 330-656-1601 Email: info@davidround.com

The FP4000R allows the operator to move in tight quarters with a small turn radius. Tested and exceeds ANSI/ASME PALD standards. Meets ANSI Z.535



David Round & Son, Inc.
 Ruger Division
 10200 Wellman Road
 Streetsboro, OH 44241
 Phone: 330-656-1600
 Fax: 330-656-1601
 info@davidround.com
 www.rugerindustries.com

VERSATILE

COMPACT

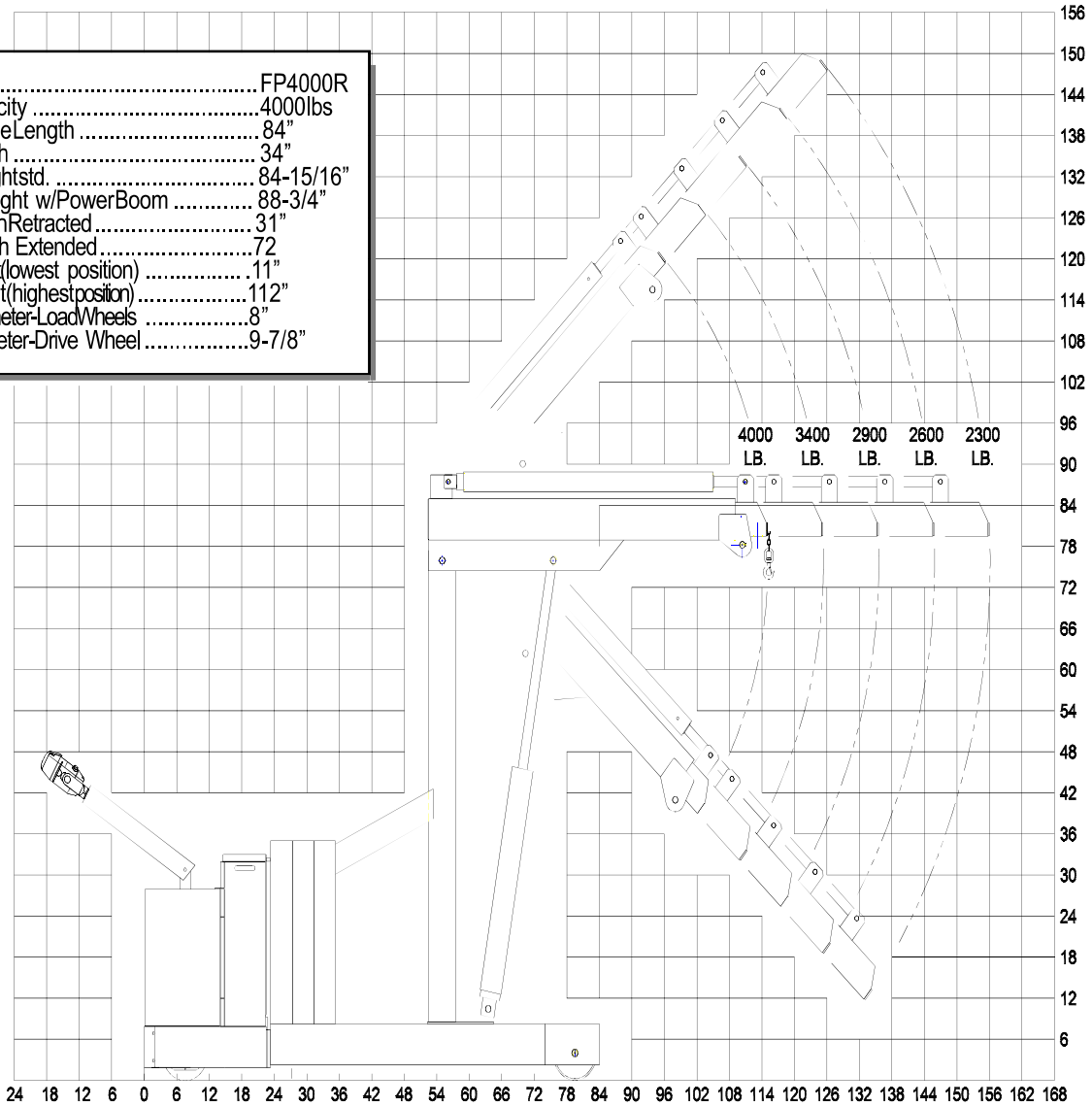
AFFORDABLE

DEPENDABLE

MODEL: FP4000R

Shown with optional power boom.

Model	FP4000R
Max. Capacity	4000lbs
Overall Base Length	84"
Overall Width	34"
Overall Height std.	84-15/16"
Overall Height w/Power Boom	88-3/4"
Boom Reach Retracted	31"
Boom Reach Extended	72"
Boom Height (lowest position)	11"
Boom Height (highest position)	112"
Wheel Diameter-Load Wheels	8"
Wheel Diameter-Drive Wheel	9-7/8"



NOTE: Ruger can modify any standard dimensions to meet specific customer needs.