



David Round, Inc.  
Ruger Division  
10200 Wellman Road  
Streetsboro, OH 44241  
Phone: 330-656-1600  
Fax: 330-656-1601  
www.rugerindustries.com

ADJUSTABLE

RELIABLE

POWERFUL

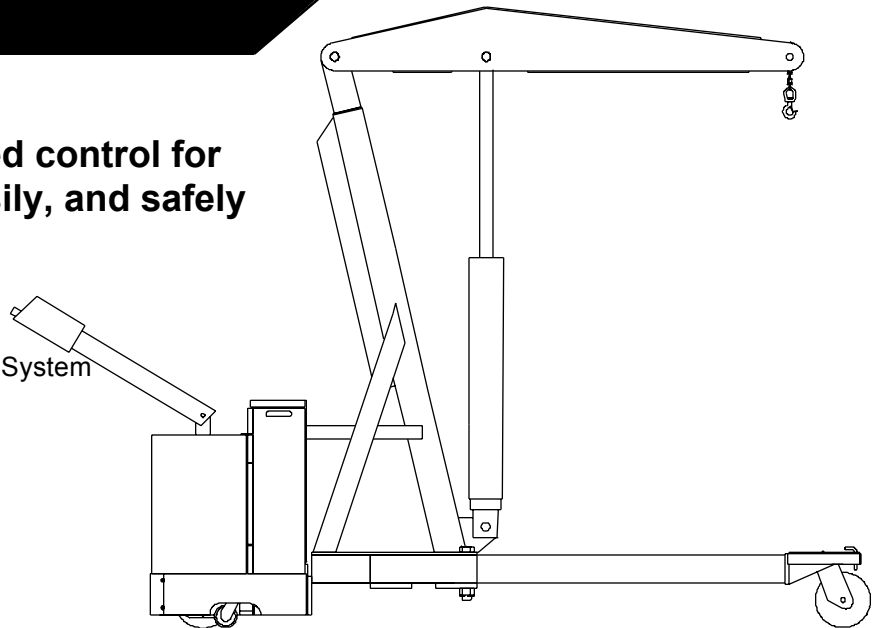
VERSATILE

## FP-3A

- **6000 lb. Capacity**
- **Forward and reverse speed control for moving loads quickly, easily, and safely**

### ACCESSORIES

- Remote Control Pendant
- Wireless Remote Control
- 24 V. Industrial Quick-Change Battery System  
(add 6" to overall length)
- Power Hoist
- Power In/Out Boom
- Sealed Maintenance Free Battery



### STANDARD FEATURES

- Meets Ruger's engineering standards of 150% structural overload of maximum rated capacity
- Built-in hydraulic overload relief valve
- Polyurethane drive wheel, load wheels
- Manual extension boom for more reach and height
- Infinite Variable Speed Control
- Solid State Circuitry
- 225 amp/hr batteries and 25 amp, 24 volt on-board charger
- Dynamic brake
- Key lock and battery condition indicator/hour meter

Prices, Specifications, and Options are subject to Change Without Notice.

All Ruger products are shipped F.O.B. Streetsboro, Ohio 44241

FAX: 330-656-1601

E-mail: [info@davidround.com](mailto:info@davidround.com)

The FP-3A was designed with adjustable legs that open wide to easily straddle oversized loads. Tested and exceeds ANSI/ASME PALD standards. Meets ANSI Z.535



David Round, Inc.  
 Ruger Division  
 10200 Wellman Road  
 Streetsboro, OH 44241  
 Phone: 330-656-1600  
 Fax: 330-656-1601  
 www.rugerindustries.com

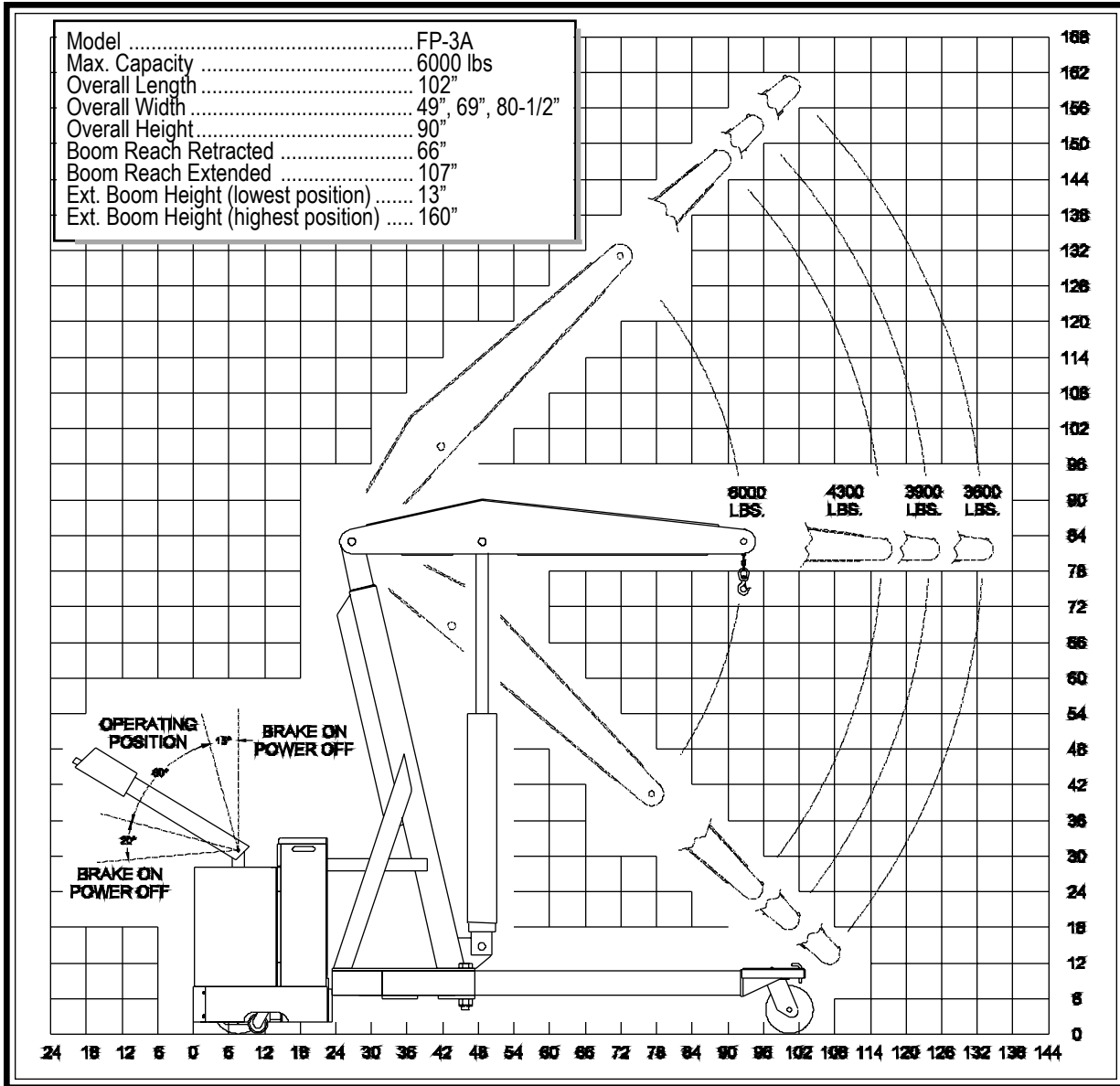
**ADJUSTABLE**

**RELIABLE**

**POWERFUL**

**VERSATILE**

# MODEL: FP-3A



**NOTE: Ruger can modify any standard dimensions to meet specific customer needs.**