



David Round, Inc.  
Ruger Division1  
10200 Wellman Rad  
Streetsboro, OH 44241  
Phone: 330-656-1600  
Fax: 330-656-1601  
www.rugerindustries.com

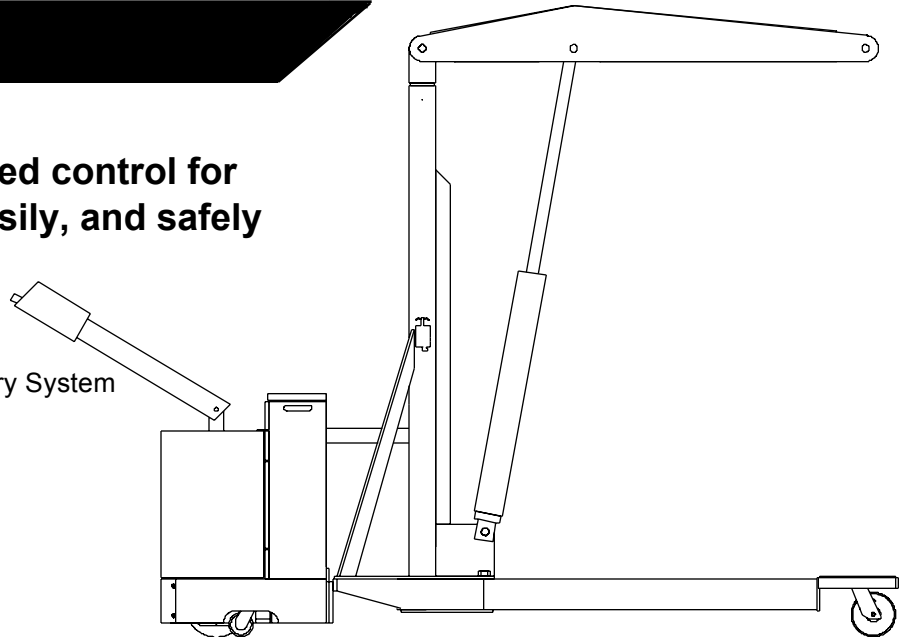
**FULL POWER****ADJUSTABLE****POWERFUL****FLEXIBLE**

## FP-2A

- **4000 lb. Capacity**
- **Forward and reverse speed control for moving loads quickly, easily, and safely**

### ACCESSORIES

- Remote Control Pendant
- Wireless Remote Control
- 24 V. Industrial Quick-Change Battery System (add 6" to overall length)
- Power Hoist
- Power In/Out Boom
- Sealed Maintenance Free Battery



### STANDARD FEATURES

- Meets Ruger's engineering standards of 150% structural overload of maximum rated capacity
- Built-in hydraulic overload relief valve
- Polyurethane drive wheel, load wheels and casters
- Manual extension boom for more reach and height
- Infinite Variable Speed Control
- Solid State Circuitry
- 225 amp/hr batteries and 25 amp, 24 volt on-board charger
- Dynamic brake
- Key lock and battery condition indicator/hour meter

Prices, Specifications, and Options are subject to Change Without Notice.

All Ruger products are shipped F.O.B. Streetsboro, Ohio 44241

FAX: 330-656-1601

E-mail: [info@davidround.com](mailto:info@davidround.com)

The FP-2A, adjustable legs open to 3 widths. This unique feature provides even more versatility and greater flexibility. Tested and exceeds ANSI/ASME PALD standards. Meets ANSI Z.535



David Round, Inc.  
 Ruger Division  
 10200 Wellman Road  
 Streetsboro, OH 44241  
 Phone: 330-656-1600  
 Fax: 330-656-1601  
 www.rugerindustries.com

**FULL POWER**

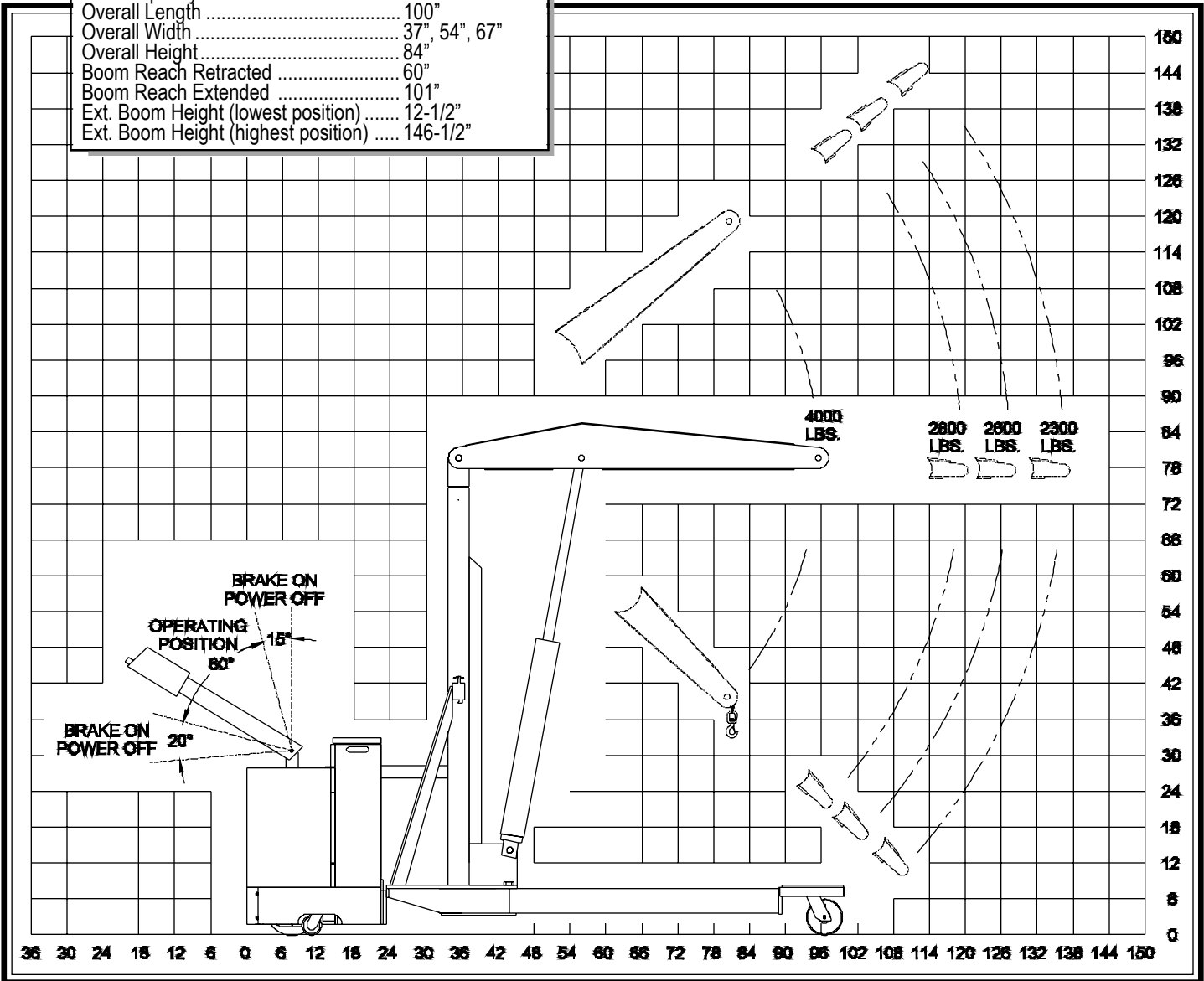
**ADJUSTABLE**

**POWERFUL**

**FLEXIBLE**

# MODEL: FP-2A

Model .....	FP-2A
Max. Capacity .....	4000 lbs
Overall Length .....	100"
Overall Width .....	37", 54", 67"
Overall Height .....	84"
Boom Reach Retracted .....	60"
Boom Reach Extended .....	101"
Ext. Boom Height (lowest position) .....	12-1/2"
Ext. Boom Height (highest position) .....	146-1/2"



**NOTE:** Ruger can modify any standard dimensions to meet specific customer needs.