



Ruger Industries, Inc.
10200 Wellman Road
Streetsboro, OH 44241
Phone: 330-656-1600
Fax: 330-656-1601
www.rugerequipment.com

FULL POWER

MORE HEIGHT

MORE REACH

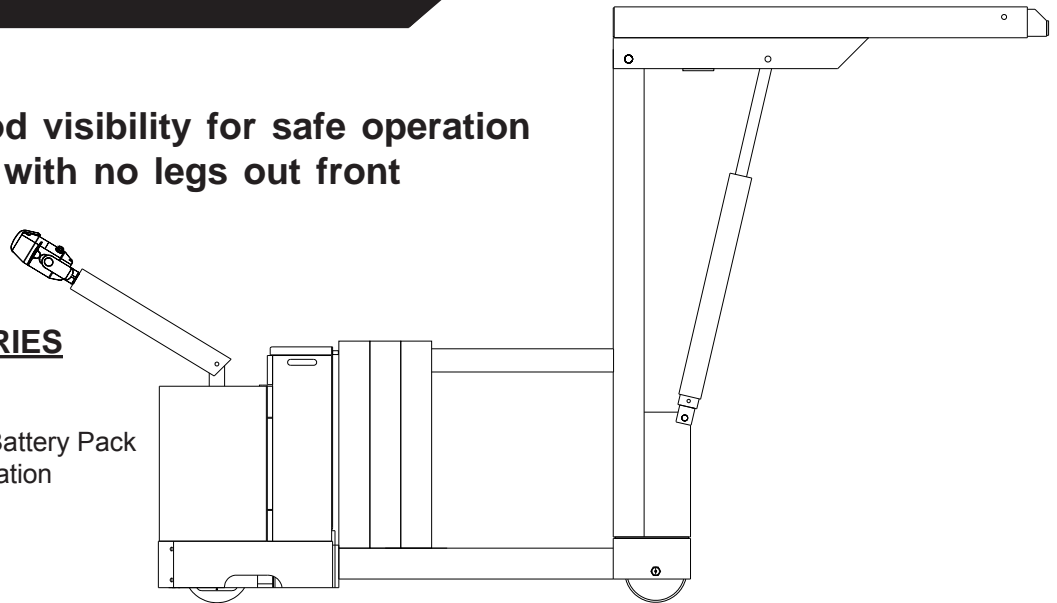
HYDRAULIC

FP2000R

- **2000 lb. Capacity**
- **Operator has good visibility for safe operation**
- **Counterbalanced with no legs out front**

OPTIONAL ACCESSORIES

- Remote Control Pendant
- Wireless Remote Control
- Sealed Maintenance Free Battery Pack
- Quick Charger (with in-operation charging)
- Power Hoist
- Power In/Out Boom



STANDARD FEATURES

- Meets Ruger's engineering standards of 150% structural overload of maximum rated capacity
- Built-in hydraulic overload relief valve
- Polyurethane drive wheel and load wheels
- Manual extension boom for more reach and height
- Infinity Variable Speed Control
- Solid State Circuitry
- 225 amp/hr batteries and 25 amp, 24 volt on-board charger
- Dynamic brake
- Key lock and battery condition indicator/hour meter

Prices, Specifications, and Options are subject to Change Without Notice.

All Ruger products are shipped F.O.B. Streetsboro, Ohio 44241

FAX: 330-656-1601

E-mail: info@davidround.com

The FP2000R allows the operator to move in tight quarters with a small turn radius. Tested and exceeds ANSI/ASME PALD standards. Meets ANSI Z.535



Ruger Industries, Inc.
 10200 Wellman Road
 Streetsboro, OH 44241
 Phone: 330-656-1600
 Fax: 330-656-1601
 www.rugerindustries.com

VERSATILE

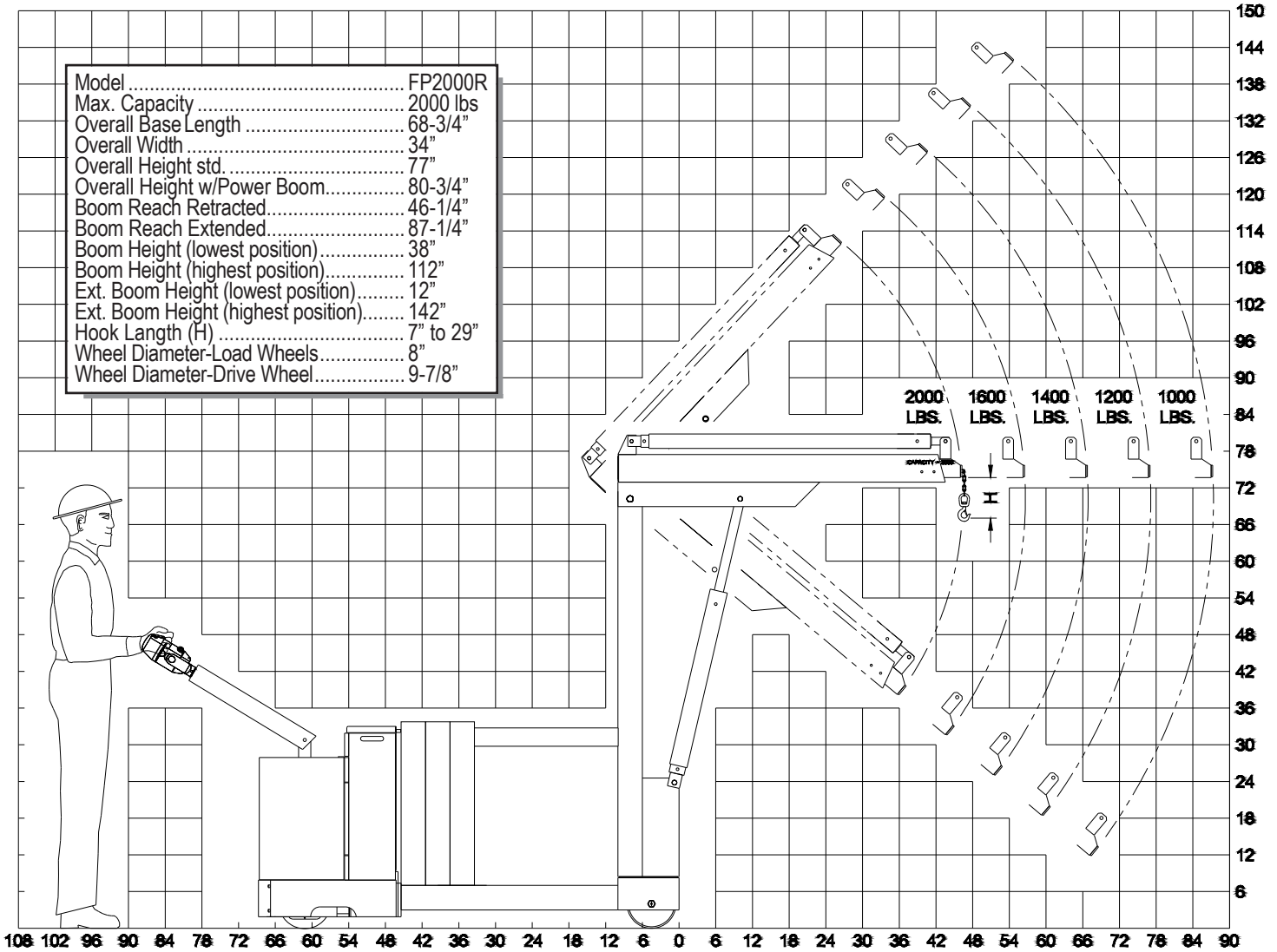
COMPACT

AFFORDABLE

DEPENDABLE

MODEL: FP2000R

Shown with optional power boom



NOTE: Ruger can modify any standard dimensions to meet specific customer needs.